



合肥搬易通科技发展有限公司

BANYITONG SCIENCE & TECHNOLOGY DEVELOPING CO.,LTD.

固话/Tel:4006-526-926 / 0551-6211 3990

邮箱/E-mail:market@mimachina.com

官网:www.mimachina.com

地址:安徽省合肥市新站区岱河路与蔡伦路交叉口

Address:Crossing of Daihe Road and Callun Road, Xinzhan district, Hefei, China

最终解释权归合肥搬易通科技发展有限公司所有

FINAL INTERPRETATION IS OWNED BY BANYITONG SCIENCE & TECHNOLOGY DEVELOPING CO., LTD.

注:本产品宣传配置包括选配配置,购买前请咨询相关业务人员



微信二维码



官网二维码

ELECTRIC COUNTERBALANCE FORKLIFT TRUCK

电动平衡重叉车

MK15/20/25/30

MK35/40/45/50



合肥搬易通科技发展有限公司

www.mimachina.com



**↑ 最高 6000mm 起升 Max. Lifting Height**

MK系列四支点平衡重叉车载重1.0-5.0吨,是一款前驱横置式平衡重叉车,采用大速比驱动桥箱总成,拥有更高的工作效率,整车采用大圆弧流线过渡,外观整洁大方,以红色为主调,并进行了先进的烤漆工艺,车体结构重新优化,采用优质钢板焊接而成,成熟可靠的配件,全新的设计及工艺,提高了整机的性价比,满足客户各类工况需求。

MK series four fulcrum balanced fork truck weighs 1.0-5.0t, which is a front drive horizontal balanced forklift truck. It adopts a large speed ratio drive axle box assembly, with higher working efficiency. The whole vehicle adopts a large arc streamline transition, clean and generous appearance, with red as the main modulation, and has advanced paint baking process. The structure of the vehicle body is re optimized, and it is welded with high-quality steel plates, with mature and reliable accessories, New design and technology, improve the cost performance of the whole machine, to meet the needs of various working conditions of customers.



**AC 交流驱动**

配置交流驱动电机,合理利用交流驱动电机的再生制动功能,提高安全性,同时可反充电,免维护;

Equipped with AC drive motor, reasonable use of the regenerative braking function of AC drive motor, improve safety, and can reverse charge, maintenance free;

**环保/低噪音/节约成本**  
Environmental protection / low noise / cost saving

**MiMA电动叉车 (2吨)**

充电1小时耗电约**3.5度**,充满电池约耗电**32度**  
The power consumption is about 3.5 degrees after charging for 1 hour, and 32 degrees after fully charging the battery

工作1小时约**4.83元**  
About 4.83 yuan per hour

电池充满可工作约8小时,费用约**38.6元**  
The battery can work for about 8 hours with a charge of about 38.6 yuan

年工作约1000小时,一年费用约**4830元**  
The annual working time is about 1000 hours, and the annual cost is about 4830 yuan

**普通内燃叉车 (2吨)**

一般情况下按每小时耗油5L计  
In general, the fuel consumption per hour is 5L

工作1小时费用约30元  
The cost of one hour's work is about 30yuan

工作8小时费用约240元  
The cost of working 8 hours is about 240 yuan

年工作按1000小时计算,年费用约30000元  
The annual working hours are calculated as 1000 hours, and the annual cost is about 30000 yuan

**每年节约 Annual savings 25170元**

适配各类属具,满足各种行业需求;

Adapt to all kinds of accessories to meet the needs of various industries;



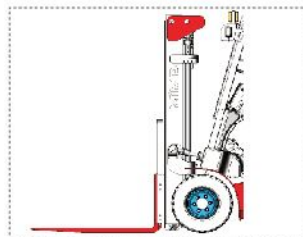




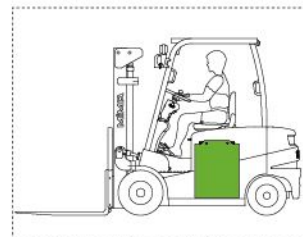
# Li-ION 锂电 (选配/OPTION)

- 能耗比普通车降低30%以上, 大大节约充电成本;  
Energy consumption is more than 30% lower than that of ordinary cars, which greatly saves charging cost;
- 电池质保5年, 电池寿命可达10年;  
The battery warranty is 5 years, and the battery life can be up to 10 years;
- 采用封闭设计, 无需进行任何维护, 免去维护不当之忧;  
Closed design, no need for any maintenance, avoid the worry of improper maintenance;
- 极速充电, 最快2小时左右可充满, 无需备用电池;  
Fast charging, up to 2 hours or so can be full, without the need for backup batteries.
- 磷酸铁锂不起火、不爆炸, 更安全;  
Lithium iron phosphate is safer without fire and explosion;

## 性能/PERFORMANCE



极小的前悬设计, 提高工作的稳定性, 较小的自重, 降低能耗, 提高续航  
Very small front suspension design, improved working stability, small self weight, reduced energy consumption, improved endurance



驱动电机横置式布置, 电池沉于整车底部, 提高行驶稳定性  
The driving motor is arranged horizontally, and the battery is sunk at the bottom of the vehicle to improve the driving stability



采用大速比驱动桥箱总成, 提高工作效率, 提高爬坡能力, 降低能耗, 降低噪音  
High speed ratio driving axle box assembly is adopted to improve working efficiency, improve climbing ability, reduce energy consumption and noise

## 外观/PERFORMANCE



新型大屏幕LED仪表, 可视性佳, 阅读直观, 人机交互界面友善  
New large screen LED instrument, good visibility, intuitive reading, friendly human-computer interface

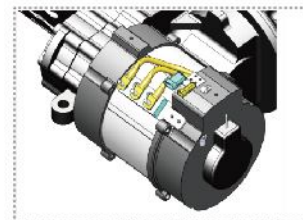


人机工程抗疲劳座椅, 可根据驾驶员的需要多角度调整座椅  
Ergonomic anti fatigue seat, which can be adjusted at multiple angles according to the driver's needs



操作者可根据自己的位置调整方向盘  
The operator can adjust the steering wheel according to his position

## 安全/SAFETY



交流驱动再生制动  
AC drive regenerative braking



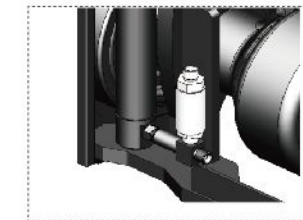
手刹驻车制动  
Handbrake parking brake



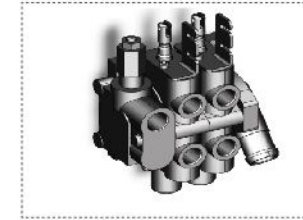
脚踏液压行车制动  
Pedal hydraulic service brake



快速切断阀  
Quick cut-off valve



下降限速阀  
Lowering speed limit valve

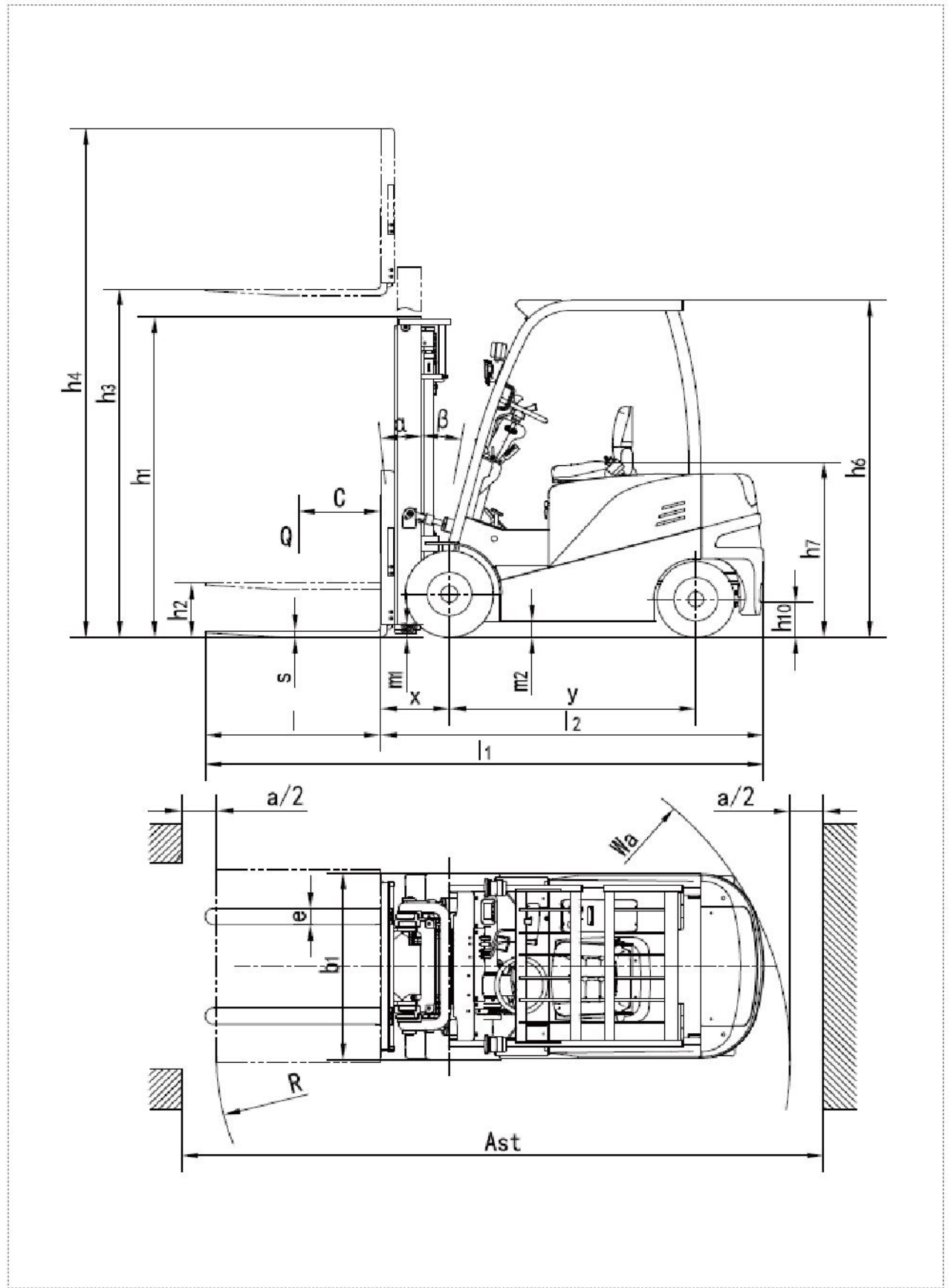


倾斜锁止阀  
过载溢流阀  
Tilt lock valve  
Overload relief valve



标准/standard					
1.1 制造商 Manufacturer	MiMA	MiMA	MiMA	MiMA	MiMA
1.2 型号 Model	MK15	MK20	MK25	MK25	MK25
1.3 技术资料对应代号 Corresponding code of technical data	1MK15	1MK20	1MK25	1MK25	1MK25
1.4 动力类型 Power Type	蓄电池 Battery	蓄电池 Battery	蓄电池 Battery	蓄电池 Battery	蓄电池 Battery
1.5 驾驶方式 Operation Type	坐驾式 Seated	坐驾式 Seated	坐驾式 Seated	坐驾式 Seated	坐驾式 Seated
1.6 额定载荷 Rated Capacity	Q(kg)	1500	2000	2500	2500
1.7 载荷中心距 Load Center	C(mm)	500	500	500	500
1.8 前悬距 Front Overhand	x(mm)	380	420	425	425
1.9 轴距 Wheelbase	y(mm)	1380	1505	1505	1700
重量/weight					
2.1 整车重量 (含电池) Service weight (incl.battery)	kg	2900	3380	3820	3600
轮胎/tyre					
3.1 轮胎类型,驱动侧/承重侧 wheel types		充气胎 Pneumatic tire	充气胎 Pneumatic tire	充气胎 Pneumatic tire	充气胎 Pneumatic tire
3.2 轮胎尺寸,承重侧 Loading wheel	mm	5.00-8	18×7-8	18×7-8	18×7-8
3.3 轮胎尺寸,驱动侧 Driving wheel	mm	6.00-9	21×8-9	21×8-9	21×8-9
3.4 车轮数量,前/后(x=驱动轮) Tyres, front/rear		2x/2	2x/2	2x/2	2x/2
3.5 轮距,驱动侧 Tread, drive	b10(mm)	910	950	950	950
3.6 轮距,承重侧 Tread, road	b11(mm)	930	960	960	960
尺寸/size					
4.1 门架倾斜范围,前/后 Gantry tilt range, front/rear	$\alpha / \beta (^{\circ})$	6/10	6/10	6/10	6/10
4.2 门架闭合高度 Height of mast closed	h1(mm)	1995	1995	1995	1995
4.3 自由起升高度 Full free lifting height	h2(mm)	135	140	145	145
4.4 起升高度 Lifting height	h3(mm)	3000	3000	3000	3000
4.5 起升时门架最大高度 Height of mast open	h4(mm)	4030	4030	4030	4030
4.6 护顶架高度 Overhead guard height	h6(mm)	2100	2100	2100	2130
4.7 座椅高度 Seat height	h7(mm)	1090	1090	1090	1120
4.8 整车长 Overall length	L1(mm)	3205	3410	3415	3615
4.9 至叉面长度 Length to fork face	L2(mm)	2135	2340	2345	2545
4.10 整车宽度 Overall width	b1(mm)	1110	1160	1160	1200
4.11 货叉尺寸 Fork Dimensions	l/e/s(mm)	1070/100/35	1070/100/40	1070/100/45	1070/100/45
4.12 安装等级 Installation level		2A	2A	2A	2A
4.13 货叉架宽度 Fork rack width	b3(mm)	1040	1040	1040	1040
4.14 货叉外侧距 Width across forks	b5(mm)	222~1000	222~1000	222~1000	222~1000
4.15 门架离地间隙 Mast clearance	m1(mm)	85	85	85	85
4.16 车身离地间隙 Body clearance	m2(mm)	100	100	100	100
4.17 直角堆垛通道宽度(托盘1000x1200)1200跨货叉方向 Aisle width for pallet 1000*1200 crossway	Ast (mm)	3580	3720	3720	3920
4.18 转弯半径 Turning radius	Wa(mm)	2000	2100	2100	2300
性能/performance					
5.1 行驶速度,满/空载 Driving speed (load/unload)	km/h	10/12	10/12	10/12	10/12
5.2 起升速度,满/空载 Lifting speed (load/unload)	mm/s	300/480	230/400	230/400	230/400
5.3 下降速度,满/空载 Lowering speed (load/unload)	mm/s	380/360	420/480	390/480	390/480
5.4 最大爬坡能力,满/空载 (S2-5min) Max.climbing ability	$\%(\tan \theta)$	14/15	14/15	14/15	14/15
5.5 制动方式 Brake type		液压力 Hydraulic	液压力 Hydraulic	液压力 Hydraulic	液压力 Hydraulic
驱动/drive					
6.1 驱动电机功率 (S2-60min) Driving motor	kw	AC6.8	AC6.8	AC6.8	AC6.8
6.2 起升电机功率, (S3-15%) Lifting motor	kw	DC8.2	DC8.6	DC8.6	DC8.6
6.3 蓄电池,电压/额定容量 Battery Voltage/capcity	V/Ah	48/400	48/490	48/560	48/560
6.4 电池重量 Battery weight	kg	645	750	870	885
6.5 转向系统 Steering system		液压力 Hydraulic	液压力 Hydraulic	液压力 Hydraulic	液压力 Hydraulic
其它/Other					
7.1 锂电池配置,电压/额定容量 Lithium battery configuration	V/Ah	48/320	48/400	48/480	48/480
7.2 交流起升电机功率, (S3-15%) AC lifting motor power	kw	AC10	AC10	AC12	AC12

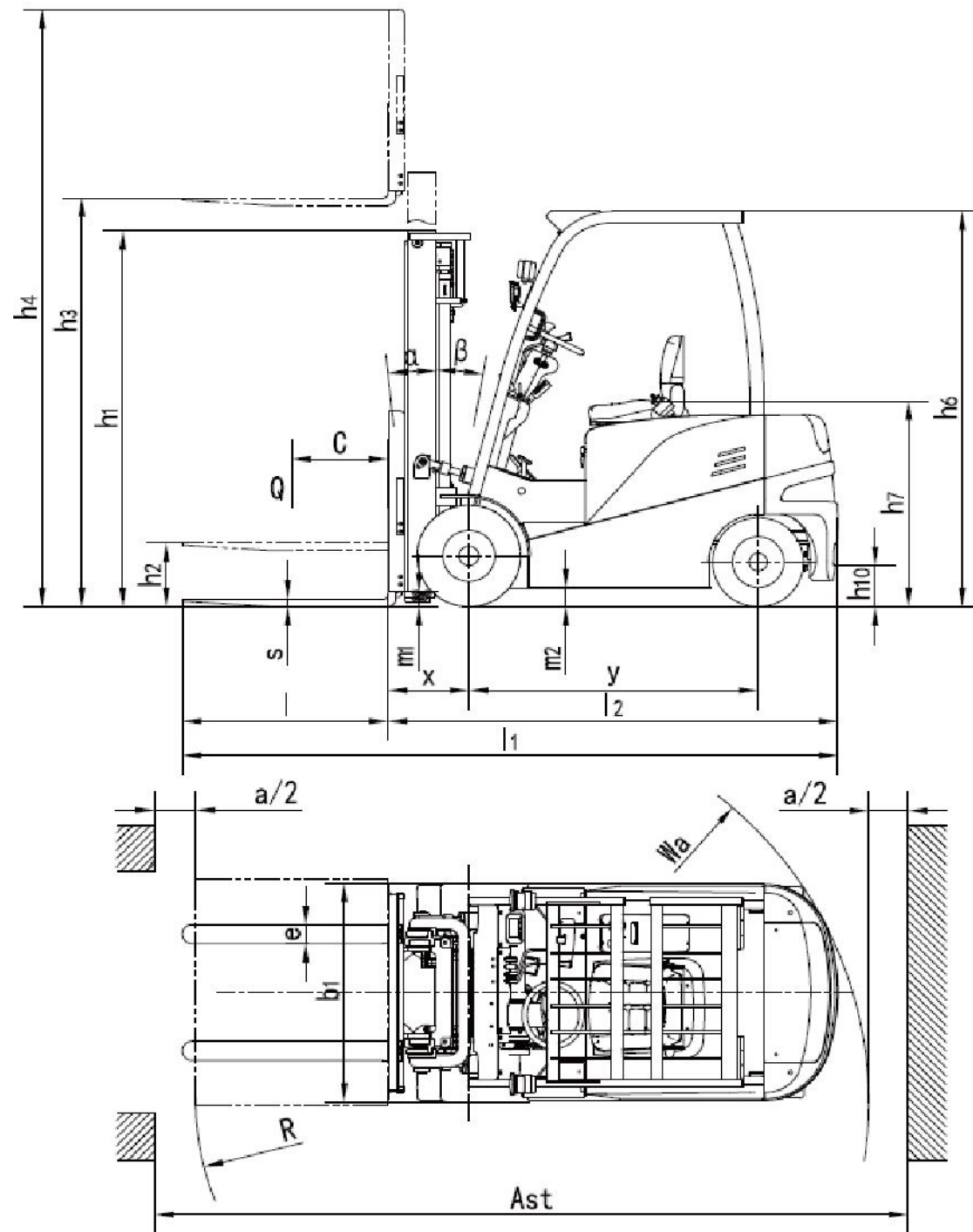
标准车型数据,根据配置的不同会有所变化 The standard model data will vary according to the configuration





标准/standard					
1.1 制造商 Manufacturer		MiMA	MiMA	MiMA	MiMA
1.2 型号 Model			MK30	MK35	MK40
1.3 技术资料对应代号 Corresponding code of technical data		1MK30	1MKG30	1MK35	1MK40
1.4 动力类型 Power Type		蓄电池 Battery	蓄电池 Battery	蓄电池 Battery	蓄电池 Battery
1.5 驾驶方式 Operation Type		坐驾式 Seated	坐驾式 Seated	坐驾式 Seated	坐驾式 Seated
1.6 额定载荷 Rated Capacity	Q(kg)	3000	3000	3500	4000
1.7 载荷中心距 Load Center	C(mm)	500	500	500	500
1.8 前悬距 Front Overhand	x(mm)	433	433	484	484
1.9 轴距 Wheelbase	y(mm)	1700	1700	1800	1800
重量/weight					
2.1 整车重量 (含电池) Service weight (incl.battery)	kg	4370	4460	4870	5300
轮胎/tyre					
3.1 轮胎类型, 驱动侧/承重侧 wheel types		充气胎 Pneumatic tire	充气胎 Pneumatic tire	实心胎 Solid tire	实心胎 Solid tire
3.2 轮胎尺寸, 承重侧 Loading wheel	mm	18×7-8	18×7-8	18×7-8	18×7-8
3.3 轮胎尺寸, 驱动侧 Riving wheel	mm	23×9-10	23×9-10	23×10-12	23×10-12
3.4 车轮数量, 前/后(x=驱动轮) Tyres, front/rear		2x/2	2x/2	2x/2	2x/2
3.5 轮距, 驱动侧 Tread, drive	b10(mm)	970	970	1080	1080
3.6 轮距, 承重侧 Tread, road	b11(mm)	960	960	990	990
尺寸/size					
4.1 门架倾斜范围, 前/后 Gantry tilt range, front/rear	$\alpha / \beta (^{\circ})$	6/10	6/10	6/10	6/10
4.2 门架闭合高度 Height of mast closed	h1(mm)	2110	2110	2110	2110
4.3 自由起升高度 Full free lifting height	h2(mm)	145	145	150	150
4.4 起升高度 Lifting height	h3(mm)	3000	3000	3000	3000
4.5 起升时门架最大高度 Height of mast open	h4(mm)	4256	4256	4256	4256
4.6 护顶架高度 Overhead guard height	h6(mm)	2130	2130	2130	2130
4.7 座椅高度 Seat height	h7(mm)	1120	1120	1120	1120
4.8 整车长度 Overall length	L1(mm)	3620	3620	3770	3770
4.9 至叉面长度 Length to fork face	L2(mm)	2550	2550	2700	2700
4.10 整车宽度 Overall width	b1(mm)	1200	1200	1330	1330
4.11 货叉尺寸 Fork Dimensions	l/e/s(mm)	1070/125/45	1070/125/45	1070/125/50	1070/125/50
4.12 安装等级 Installation level		3A	3A	3A	3A
4.13 货叉架宽度 Fork rack width	b3(mm)	1100	1100	1100	1100
4.14 货叉外侧距 Width across forks	b5(mm)	250~1050	250~1050	250~1050	250~1050
4.15 门架离地间隙 Mast clearance	m1(mm)	90	90	90	90
4.16 车身离地间隙 Body clearance	m2(mm)	100	100	100	100
4.17 直角堆垛通道宽度 (托盘 1000 x 1200) 1200 跨货叉方向 Aisle width for pallet 1000*1200 crossway	Ast(mm)	3920	3920	4190	4190
4.18 转弯半径 Truning radius	Wa(mm)	2300	2300	2450	2450
性能/performance					
5.1 行驶速度, 满/空载 Driving speed (load/unload)	km/h	10/12	10/12	10/12	10/12
5.2 起升速度, 满/空载 Lifting speed (load/unload)	mm/s	200/340	200/340	200/300	200/300
5.3 下降速度, 满/空载 Lowering speed (load/unload)	mm/s	300/460	300/460	300/460	300/460
5.4 最大爬坡能力, 满/空载 (S2-5min) Max.climbing abilty	$\%(\tan \theta)$	14/15	14/15	14/15	14/15
5.5 制动方式 Brake type		液压力 Hydraulic	液压力 Hydraulic	液压力 Hydraulic	液压力 Hydraulic
驱动/drive					
6.1 驱动电机功率 (S2-60min) Driving motor	kw	AC9.1	AC11.75	AC14	AC14
6.2 起升电机功率, (S3-15%) Lifting motor	kw	DC10	DC10	DC10	DC10
6.3 蓄电池, 电压/额定容量 Battery Voltage/capcity	V/Ah	48/630	80/400	80/400	80/450
6.4 电池重量 Battery weight	kg	980	1070	1070	1195
6.5 转向系统 Steering system		液压力 Hydraulic	液压力 Hydraulic	液压力 Hydraulic	液压力 Hydraulic
其它/Other					
7.1 锂电池配置, 电压/额定容量 Lithium battery configuration	V/Ah	48/480	80/450	80/450	80/450
7.2 交流起升电机功率, (S3-15%) AC lifting motor power	kw	AC12	AC13.5	AC13.5	AC13.5

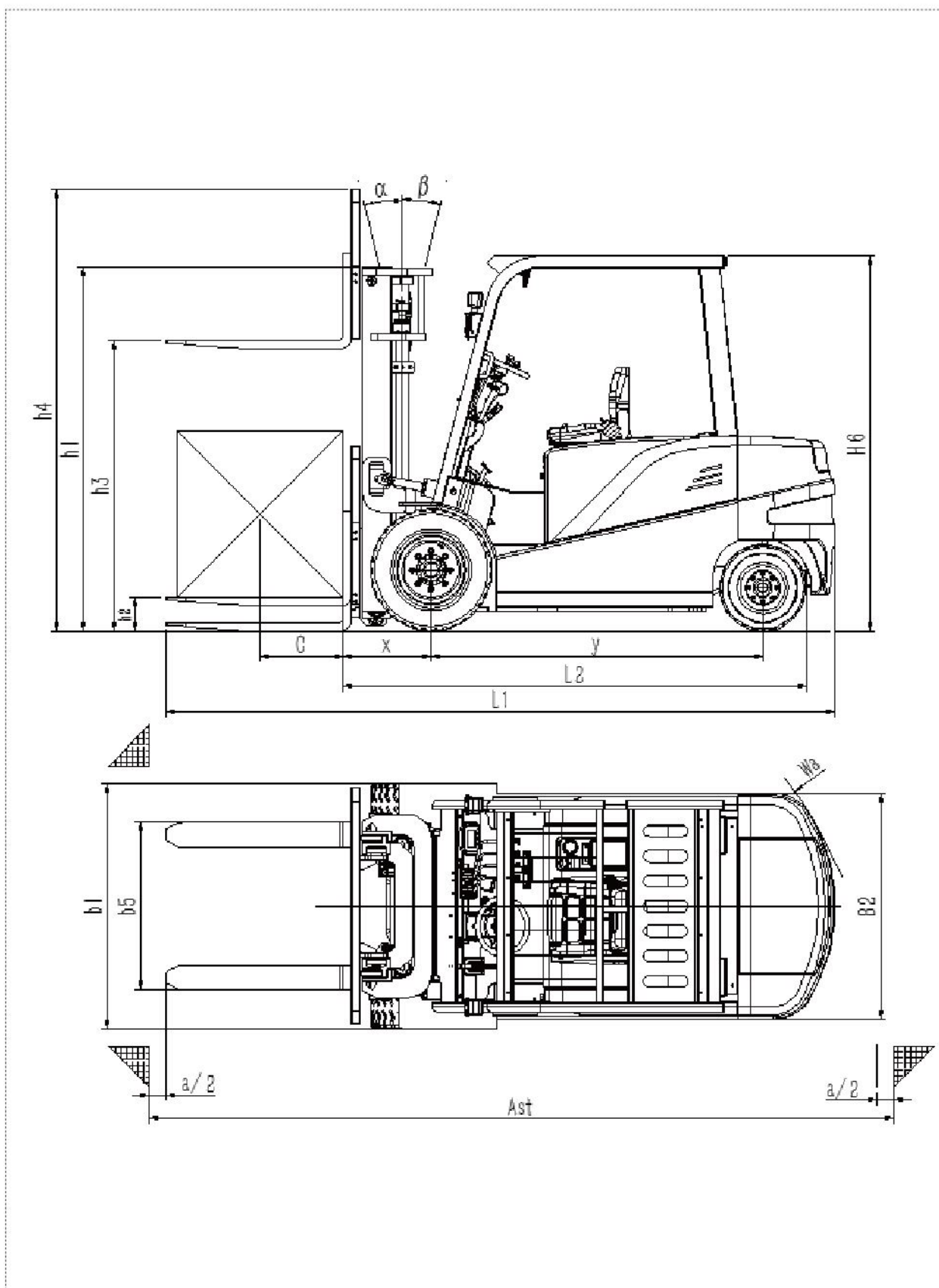
标准车型数据,根据配置的不同会有所变化 The standard model data will vary according to the configuration





标准/standard			
1.1 制造商 Manufacturer		MiMA	MiMA
1.2 型号 Model		MK 45	MK 50
1.3 动力类型 Power Type		蓄电池Battery	蓄电池Battery
1.4 驾驶方式 Operation Type		座驾式Driving style	座驾式Driving style
1.5 额定载荷 Rated Capacity	Q(kg)	4500	4999
1.6 载荷中心距 Load Center	C(mm)	500	500
1.7 前悬距 Front Overhand	x(mm)	530	530
1.8 轴距 Wheelbase	y(mm)	2000	2000
重量/weight			
2.1 整车重量 (含电池) Service weight (incl.battery)	kg	6800	7100
轮胎/tyre			
3.1 轮胎类型, 驱动侧 / 承重侧 wheel types		实心橡胶胎Solid rubber tyre	实心橡胶胎Solid rubber tyre
3.2 轮胎尺寸, 承重侧 Loading wheel	mm	21 × 8-9	21 × 8-9
3.3 轮胎尺寸, 驱动侧 Riving wheel	mm	250-15	250-15
3.4 车轮数量, 前/后 (x=驱动轮) Tyres, front/rear		2x/2	2x/2
3.5 轮距, 驱动侧 Tread, drive	b10(mm)	1225	1225
3.6 轮距, 承重侧 Tread, road	b11(mm)	1025	1025
尺寸/size			
4.1 门架倾斜范围, 前/后 Gantry tilt range, front/rear	$\alpha / \beta (^{\circ})$	6/11	6/11
4.2 门架闭合高度 Height of mast closed	h1(mm)	2180	2180
4.3 自由起升高度 Full free lifting height	h2(mm)	150	150
4.4 起升高度 Lifting height	h3(mm)	3000	3000
4.5 起升时门架最大高度 Height of mast open	h4(mm)	4040	4040
4.6 护顶架高度 Overhead guard height	h6(mm)	2250	2250
4.7 座椅高度 Seat height	h7(mm)	1230	1230
4.8 整车长度 Overall length	L1(mm)	4060	4060
4.9 至叉面长度 Length to fork face	L2(mm)	2990	2990
4.10 整车宽度 Overall width	b1/b2(mm)	1470 /1350	1470 /1350
4.11 货叉尺寸 Fork Dimensions	l/e/s(mm)	1070 /150 /50	1070 /150 /50
4.12 安装等级 Installation level		3A	3A
4.13 货叉架宽度 Fork rack width	b3(mm)	1380	1380
4.14 货叉外侧距 Width across forks	b5(mm)	320 ~ 1320	320 ~ 1320
4.15 门架离地间隙 Mast clearance	m1(mm)	120	120
4.16 车身离地间隙 Body clearance	m2(mm)	120	120
4.17 直角堆垛通道宽度 (1000X1200 跨货叉) Aisle width for pallet 1000*1200 crossway	Ast (mm)	4490	4490
4.18 直角堆垛通道宽度 (800X1200 沿货叉) Aisle width for pallet 1000*1200 crossway	Ast (mm)	4690	4690
4.19 转弯半径 Truning radius	Wa (mm)	2690	2690
性能/performance			
5.1 行驶速度, 满/空载 Driving speed (load/unload)	km/h	12/13	12/13
5.2 起升速度, 满/空载 Lifting speed (load/unload)	mm/s	200/220	200/220
5.3 下降速度, 满/空载 Lowering speed (load/unload)	mm/s	270/290	270/290
5.4 牵引力 (S2-5min) Traction force	N	15400	15680
5.5 最大爬坡能力, 满/空载 (S2-5min) Max.climbing abllity	%(tan $\theta$ )	15/15	15/15
5.6 制动方式 Brake type		机械液压式Mechanical hydraulic	机械液压式Mechanical hydraulic
驱动/drive			
6.1 驱动电机功率 (S2-60min) Driving motor	kw	AC 16.6	AC 16.6
6.2 起升电机功率, (S3-15%) Lifting motor	kw	AC 15	AC 15
6.3 蓄电池, 电压 / 额定容量 Battery Voltage/capcity	V/Ah	80/560	80/630
6.4 电池重量 Battery weight	kg	1390	1690
6.5 转向系统 Steering system		液压式Hydraulic type	液压式Hydraulic type
其它/Other			
7.1 锂电池配置, 电压/额定容量 Lithium battery configuration	V/Ah	80/450	80/525

标准车型数据, 根据配置的不同会有所变化 The standard model data will vary according to the configuration





两节门架 Duplex Mast									
型号 Model	MK	15-25	15-27	15-30	15-33	15-35	15-37	15-40	15-45
提升高度 Lift height	h3(mm)	2500	2700	3000	3300	3500	3700	4000	4500
起升时门架最大高度 Height-Mast Extended	h4(mm)	3530	3730	4030	4330	4530	4730	5030	5530
闭合门架高度 Height Mast Lowered	h1(mm)	1745	1845	1995	2145	2245	2345	2545	2795
自由起升高度 Height Free Lift	h2(mm)	135	135	135	135	135	135	135	135

两节全自由门架 Duplex Full free Mast									
型号 Model	MK	15Q-25	15Q-27	15Q-30	15Q-33	15Q-35	15Q-37	15Q-40	15Q-45
提升高度 Lift height	h3(mm)	2500	2700	3000	3300	3500	3700	4000	4500
起升时门架最大高度 Height-Mast Extended	h4(mm)	3540	3740	4040	4340	4540	4740	5040	5540
闭合门架高度 Height Mast Lowered	h1(mm)	1745	1845	1995	2145	2245	2345	2545	2795
自由起升高度 Height Free Lift	h2(mm)	702	802	952	1102	1202	1302	1502	1752

三节全自由门架 Triplex Full free Mast									
型号 Model	MK	15SQ-36	15SQ-40	15SQ-45	15SQ-48	15SQ-50	15SQ-55	15SQ-60	
提升高度 Lift height	h3(mm)	3600	4000	4500	4800	5000	5500	6000	
起升时门架最大高度 Height-Mast Extended	h4(mm)	4630	5030	5530	5830	6030	6530	7030	
闭合门架高度 Height Mast Lowered	h1(mm)	1795	1928	2095	2195	2262	2428	2595	
自由起升高度 Height Free Lift	h2(mm)	755	888	1055	1155	1222	1388	1555	

两节门架 Duplex Mast									
型号 Model	MK	20-25	20-27	20-30	20-33	20-35	20-37	20-40	20-45
提升高度 Lift height	h3(mm)	2500	2700	3000	3300	3500	3700	4000	4500
起升时门架最大高度 Height-Mast Extended	h4(mm)	3530	3730	4030	4330	4530	4730	5030	5530
闭合门架高度 Height Mast Lowered	h1(mm)	1745	1845	1995	2145	2245	2345	2545	2795
自由起升高度 Height Free Lift	h2(mm)	140	140	140	140	140	140	140	140

两节全自由门架 Duplex Full free Mast									
型号 Model	MK	20Q-25	20Q-27	20Q-30	20Q-33	20Q-35	20Q-37	20Q-40	20Q-45
提升高度 Lift height	h3(mm)	2500	2700	3000	3300	3500	3700	4000	4500
起升时门架最大高度 Height-Mast Extended	h4(mm)	3580	3780	4080	4380	4580	4780	5080	5580
闭合门架高度 Height Mast Lowered	h1(mm)	1745	1845	1995	2145	2245	2345	2545	2795
自由起升高度 Height Free Lift	h2(mm)	702	802	952	1102	1202	1302	1502	1752

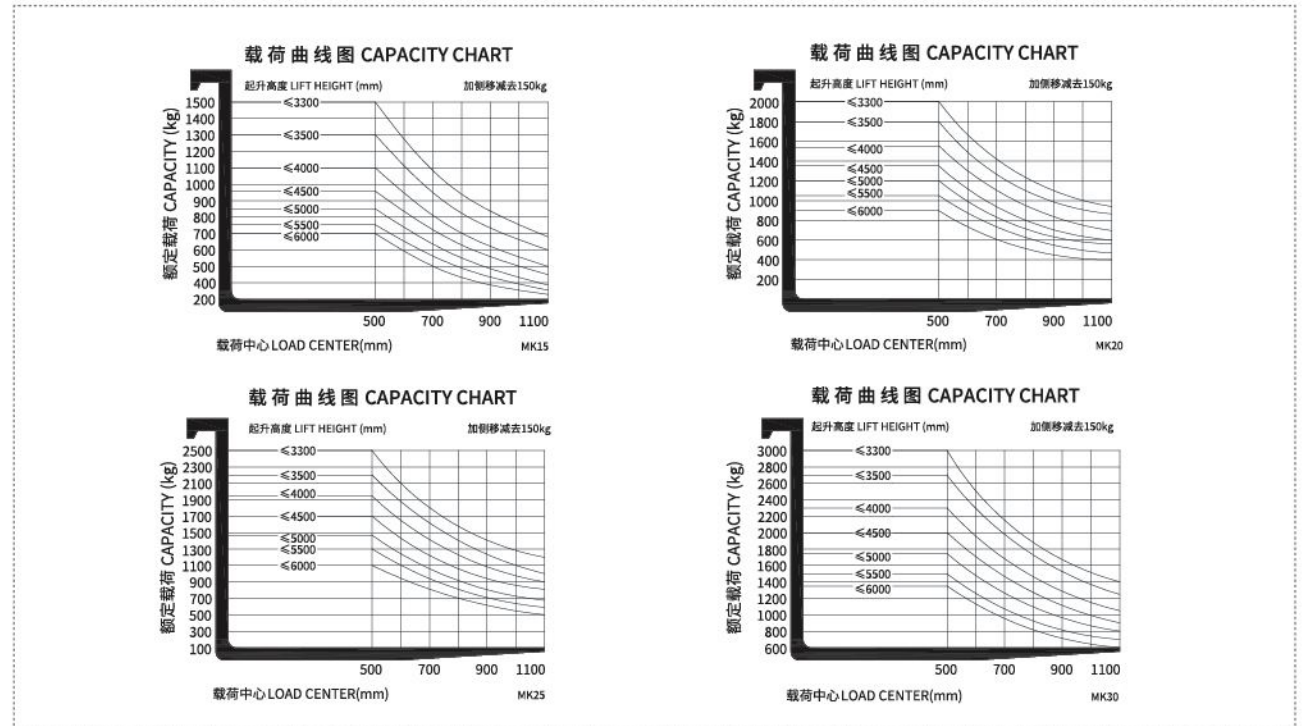
三节全自由门架 Triplex Full free Mast									
型号 Model	MK	20SQ-36	20SQ-40	20SQ-45	20SQ-48	20SQ-50	20SQ-55	20SQ-60	
提升高度 Lift height	h3(mm)	3600	4000	4500	4800	5000	5500	6000	
起升时门架最大高度 Height-Mast Extended	h4(mm)	4635	5035	5535	5835	6035	6535	7035	
闭合门架高度 Height Mast Lowered	h1(mm)	1795	1930	2095	2195	2260	2425	2595	
自由起升高度 Height Free Lift	h2(mm)	752	887	1052	1152	1217	1382	1552	

MK25门架参数与MK20相同 Mk25 gantry parameters are the same as MK20

两节门架 Duplex Mast									
型号 Model	MK	30-25	30-27	30-30	30-33	30-35	30-37	30-40	30-45
提升高度 Lift height	h3(mm)	2500	2700	3000	3300	3500	3700	4000	4500
起升时门架最大高度 Height-Mast Extended	h4(mm)	3760	3960	4260	4560	4760	4960	5260	5760
闭合门架高度 Height Mast Lowered	h1(mm)	1860	1960	2110	2260	2360	2460	2660	2910
自由起升高度 Height Free Lift	h2(mm)	145	145	145	145	145	145	145	145

两节全自由门架 Duplex Full free Mast									
型号 Model	MK	30Q-25	30Q-27	30Q-30	30Q-33	30Q-35	30Q-37	30Q-40	30Q-45
提升高度 Lift height	h3(mm)	2500	2700	3000	3300	3500	3700	4000	4500
起升时门架最大高度 Height-Mast Extended	h4(mm)	3770	3970	4270	4570	4770	4970	5270	5770
闭合门架高度 Height Mast Lowered	h1(mm)	1850	1950	2100	2250	2350	2450	2650	2900
自由起升高度 Height Free Lift	h2(mm)	716	816	966	1116	1216	1316	1516	1766

三节全自由门架 Triplex Full free Mast									
型号 Model	MK	30SQ-36	30SQ-40	30SQ-45	30SQ-48	30SQ-50	30SQ-55	30SQ-60	
提升高度 Lift height	h3(mm)	3600	4000	4500	4800	5000	5500	6000	
起升时门架最大高度 Height-Mast Extended	h4(mm)	4730	5130	5630	5930	6130	6630	7130	
闭合门架高度 Height Mast Lowered	h1(mm)	1850	1985	2150	2250	2315	2480	2650	
自由起升高度 Height Free Lift	h2(mm)	696	831	996	1096	1161	1326	1496	





两节门架 Duplex Mast									
型号 Model	MK	35-25	35-27	35-30	35-33	35-35	35-37	35-40	35-45
提升高度 Lift height	h3(mm)	2500	2700	3000	3300	3500	3700	4000	4500
起升时门架最大高度 Height-Mast Extended	h4(mm)	3630	3830	4130	4430	4630	4830	5130	5630
闭合门架高度 Height Mast Lowered	h1(mm)	1850	1950	2100	2250	2350	2450	2650	2900
自由起升高度 Height Free Lift	h2(mm)	150	150	150	150	150	150	150	150

两节全自由门架 Duplex Full free Mast									
型号 Model	MK	35Q-25	35Q-27	35Q-30	35Q-33	35Q-35	35Q-37	35Q-40	35Q-45
提升高度 Lift height	h3(mm)	2500	2700	3000	3300	3500	3700	4000	4500
起升时门架最大高度 Height-Mast Extended	h4(mm)	3635	3835	4135	4435	4635	4835	5135	5635
闭合门架高度 Height Mast Lowered	h1(mm)	1850	1950	2100	2250	2350	2450	2650	2900
自由起升高度 Height Free Lift	h2(mm)	716	816	966	1116	1216	1316	1516	1766

三节全自由门架 Triplex Full free Mast									
型号 Model	MK	35SQ-36	35SQ-40	35SQ-45	35SQ-48	35SQ-50	35SQ-55	35SQ-60	
提升高度 Lift height	h3(mm)	3600	4000	4500	4800	5000	5500	6000	
起升时门架最大高度 Height-Mast Extended	h4(mm)	4730	5130	5630	5930	6130	6630	7130	
闭合门架高度 Height Mast Lowered	h1(mm)	1850	1983	2150	2250	2317	2483	2650	
自由起升高度 Height Free Lift	h2(mm)	696	829	996	1096	1163	1329	1496	

两节门架 Duplex Mast									
型号 Model	MK	50-25	50-27	50-30	50-33	50-35	50-37.5	50-40	50-45
提升高度 Lift height	h3(mm)	2500	2700	3000	3300	3500	3750	4000	4500
起升时门架最大高度 Height-Mast Extended	h4(mm)	3765	3965	4265	4565	4765	5015	5265	5765
闭合门架高度 Height Mast Lowered	h1(mm)	1930	2030	2180	2330	2430	2555	2730	2980
自由起升高度 Height Free Lift	h2(mm)	150	150	150	150	150	150	150	150

两节全自由门架 Duplex Full free Mast									
型号 Model	MK	50Q-25	50Q-27	50Q-30	50Q-33	50Q-35	50Q-37.5	50Q-40	50Q-45
提升高度 Lift height	h3(mm)	2500	2700	3000	3300	3500	3750	4000	4500
起升时门架最大高度 Height-Mast Extended	h4(mm)	3775	3975	4275	4575	4775	5030	5275	5775
闭合门架高度 Height Mast Lowered	h1(mm)	1930	2030	2180	2330	2430	2555	2730	2980
自由起升高度 Height Free Lift	h2(mm)	655	755	905	1055	1155	1280	1455	1705

三节全自由门架 Triplex Full free Mast									
型号 Model	MK	50SQ-40	50SQ-42	50SQ-43.5	50SQ-45	50SQ-48	50SQ-50	50SQ-55	50SQ-60
提升高度 Lift height	h3(mm)	4000	4200	4350	4500	4800	5000	5500	6000
起升时门架最大高度 Height-Mast Extended	h4(mm)	5090	5515	5665	5815	6115	6325	6825	7315
闭合门架高度 Height Mast Lowered	h1(mm)	2095	2160	2210	2260	2360	2430	2645	2810
自由起升高度 Height Free Lift	h2(mm)	820	885	935	985	1085	1155	1370	1535

MK40门架参数与MK35相同, MK45门架参数与MK50相同  
MK40 portal frame parameters are the same as MK35, MK45 portal frame parameters are the same as MK50

