

MiMA®米玛®



合肥搬易通科技发展有限公司

BANYITONG SCIENCE & TECHNOLOGY DEVELOPING CO.,LTD.

固话/Tel:4006-526-926 / 0551-6211 3990

邮箱/E-mail:market@mimachina.com

官网:www.mimachina.com

地址:安徽省合肥市新站区岱河路与蔡伦路交叉口

Address:Crossing of Daihe Road and Cailun Road, Xinzhan district, Hefei, China

最终解释权归合肥搬易通科技发展有限公司所有

FINAL INTERPRETATION IS OWNED BY BANYITONG SCIENCE & TECHNOLOGY DEVELOPING CO., LTD.

注:本产品宣传配置包括选配配置,购买前请咨询相关业务人员



ELECTRIC PALLET STACKER

电动托盘堆垛车

MBB09/10/15

MiMA®米玛®

合肥搬易通科技发展有限公司

www.mimachina.com



MBB09

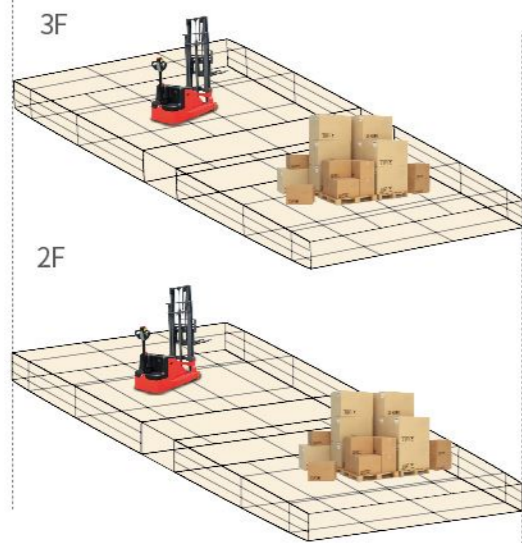
步行式电动托盘堆垛车

MBB09系列是一款载重900kg,起升高度为3000mm的电动托盘堆垛车,车身迷你,体积小,重量轻,适用于楼层作业,电梯等狭窄空间,其无叉腿设计适合更多规格托盘。

Mbb09 series is an electric pallet stacker with a load of 900kg and a lifting height of 3000mm. It has a mini body, small size and light weight. It is suitable for floor operation, elevator and other narrow spaces. Its fork free leg design is suitable for more pallets.



产品特性 PRODUCT FEATURES



- 适用楼层作业, 套筒货叉可折叠, 方便进电梯, 同类产品, 更小转弯半径与通道;
- Applicable to floor operation, foldable sleeve fork, convenient to enter the elevator, similar products, smaller turning radius and channel;



- 进口控制器, AMP防水防尘插件, 给予线路可靠保护, 大大降低了电器故障;
- 免维护电池, 超强续航能力, 使用更省心, 内置式充电器, 充电更方便;
- 结构精致, 细节出色, 部件拆装简易, 便于维护、保养;
- Imported Sri Lankan controller, AMP waterproof and dustproof plug-in, reliable protection of the circuit, greatly reducing electrical failure;
- Maintenance free battery, super endurance, easy to use, built-in charger, more convenient to charge;
- The structure is exquisite, the details are excellent, the parts are easy to assemble and disassemble, easy to maintain;



- 人机设计的操作舵柄, 简洁美观, 所有操作功能独立且易于实现;
- 采用集成性手柄, 简洁美观, 所有操作均可单手轻松完成;
- 手把设有紧急反向开关, 整车操作更具安全性;
- 手柄在垂直和水平方向都处于刹车状态, 提高车子的安全性;
- 站驾式标配车速随转向角度增加自动降速功能;
- The steering handle designed by man and machine is simple and beautiful. All operation functions are independent and easy to realize;
- Integrated handle, simple and beautiful, all operations can be easily completed by one hand;
- The handle is equipped with an emergency reverse switch, which makes the vehicle operation safer;
- The handle is braked in both vertical and horizontal directions to improve the safety of the car;
- The standard speed of station driving type increases the automatic deceleration function with the steering angle;

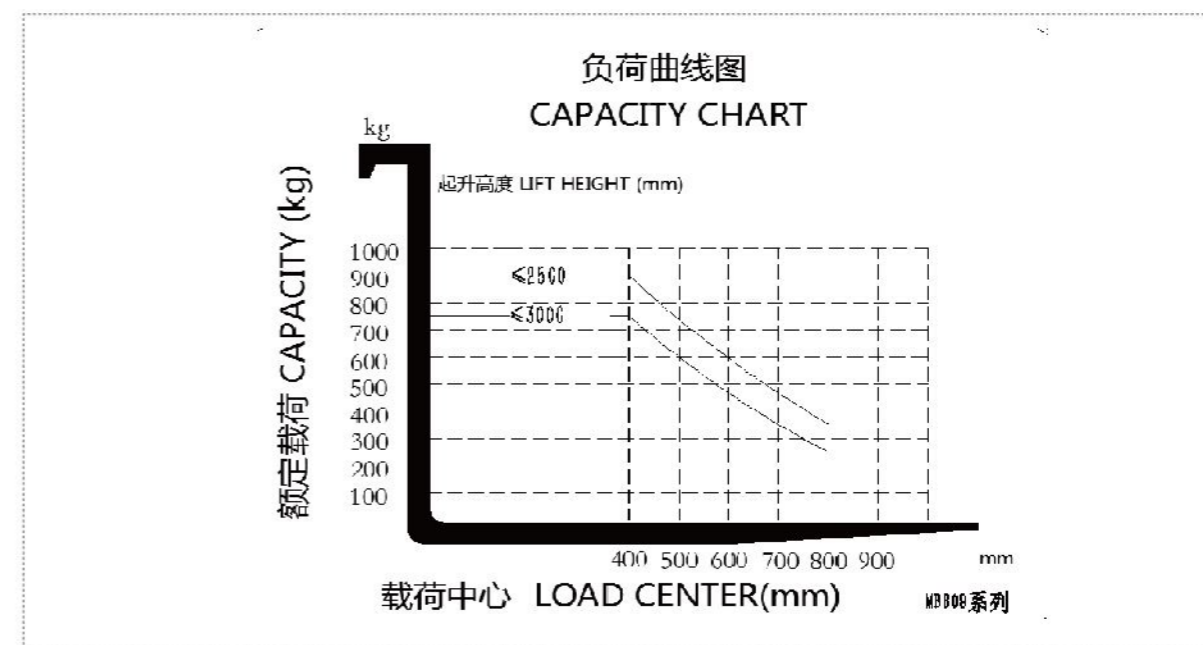
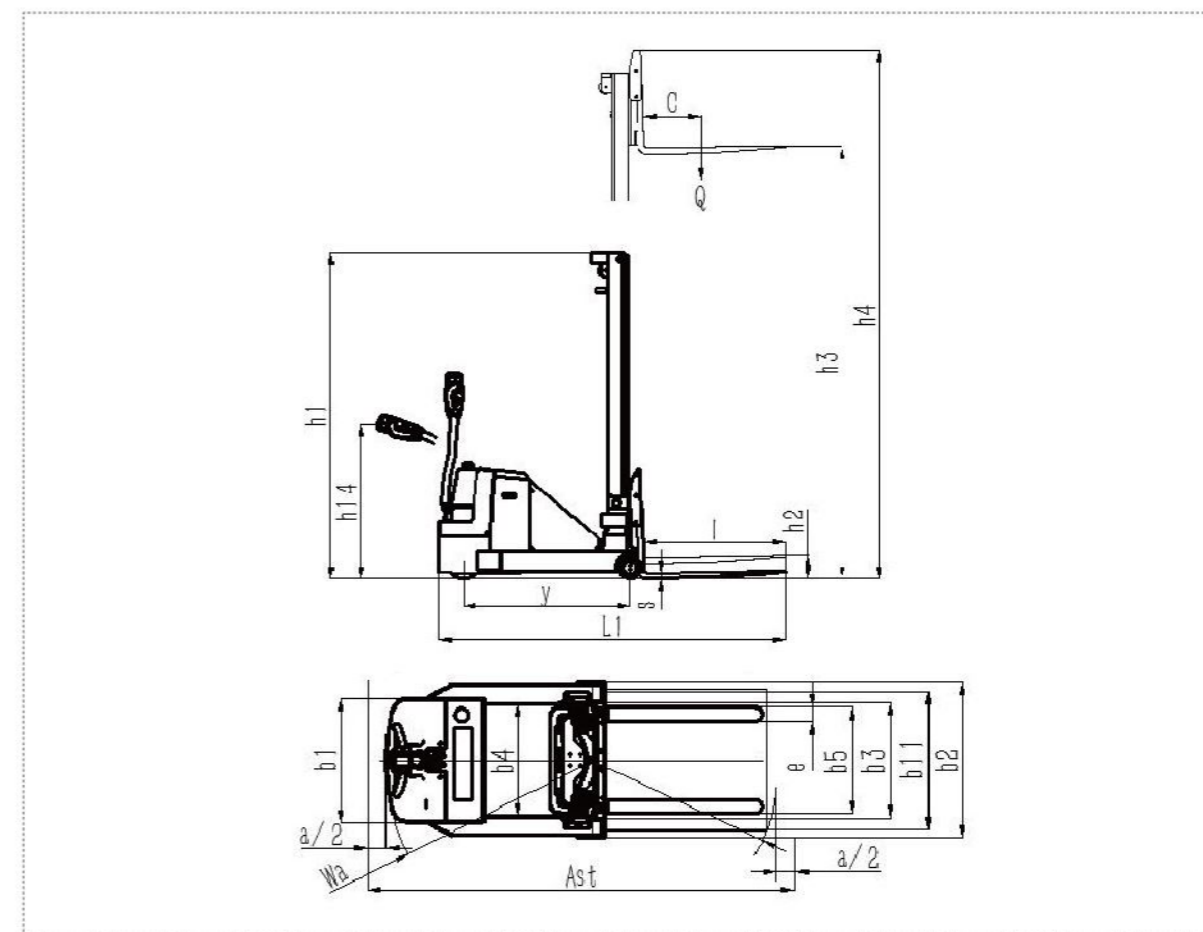


- 多功能显示仪表具有电量显示、故障代码显示、工作时间累积显示和快慢速显示;
- 紧急断电按钮, 可在紧急情况下使用, 更加安全;
- 最新的进口交流控制系统, 控制精确平稳, 效率更高;
- The multi-function display instrument has electric quantity display, fault code display, working time accumulation display and fast and slow speed display;
- Emergency power-off button, which can be used in emergency, is more safe;
- The latest imported AC control system, the control is accurate and stable, and the efficiency is higher;

【提示】 上述所有配置中可能涉及选配配置, 购买前请咨询相关业务人员

The above configuration may involve optional configuration, please consult relevant business personnel before purchasing

标准/standard					
1.1 制造厂商 Manufacture		MiMA	MiMA	MiMA	MiMA
1.2 型号 Model designation		MBB0916	MBB0920	MBB0925	MBB0930
1.3 动力类型 Power unit		蓄电池Battery	蓄电池Battery	蓄电池Battery	蓄电池Battery
1.4 驾驶方式 Operation		步行式Walking	步行式Walking	步行式Walking	步行式Walking
1.5 额定载荷 Load capacity	Q(kg)	900	900	900	900
1.6 载荷中心距 Load center	C(mm)	400	400	400	400
1.7 前悬距 Axle centre to fork face	x(mm)	80	80	80	80
1.8 轴距 Wheelbase	y(mm)	1150	1150	1150	1150
重量/weight					
2.1 整车重量(含电池) Service weight(with battery)	kg	1100	1140	1160	1180
2.2 空载时的桥负荷, 驱动侧/承重侧 Axle loading, unladen drive/load	kg	600/500	600/540	600/560	600/580
2.3 满载时桥负荷, 驱动侧/承重侧 Axle loading, fork advanced, laden drive/load	kg	130/970	130/1010	130/1030	130/1050
轮胎/Tyre					
3.1 轮胎类型, 驱动侧/承重侧 Tyre, operator/load side		聚氨酯PU	聚氨酯PU	聚氨酯PU	聚氨酯PU
3.2 轮胎尺寸, 承重侧 Tyre size, load	mm	φ140x100	φ140x100	φ140x100	φ140x100
3.3 轮胎尺寸, 驱动侧 Tyre size, drive	mm	φ210x70	φ210x70	φ210x70	φ210x70
3.4 车轮数量, 前/后(x=驱动轮) Wheels number, front/back(x=driven)		2/1x	2/1x	2/1x	2/1x
3.5 轮距, 承重侧 Tread, load	b11(mm)	775	775	775	775
尺寸/Dimensions					
4.1 门架闭合高度 Height of mast, lowered	h1(mm)	2100	1495	1745	1995
4.2 自由起升高度 Free lift	h2(mm)	1600	/	/	/
4.3 起升高度 Lift height	h3(mm)	1600	2000	2500	3000
4.4 起升时门架最大高度(含挡货架) Height of mast, extended(with block)	h4(mm)	2200	2600	3100	3600
4.5 整车长度 Overall length	L1(mm)	2235	2235	2235	2235
4.6 整车宽度 Overall width	b1, b2(mm)	700/875	700/875	700/875	700/875
4.7 货叉尺寸 Fork dimensions	l/e/s(mm)	850/100/35	850/100/35	850/100/35	850/100/35
4.8 货叉架宽度 Fork-carriage width	b3(mm)	650	650	650	650
4.9 货叉外侧距 Fork spread	b5(mm)	220-600	220-600	220-600	220-600
4.10 支腿内侧间距 Width between reach legs	b4(mm)	625	625	625	625
4.11 作业时舵柄高度 Height drawbar in driving position, min./max.	h14(mm)	820-1150	820-1150	820-1150	820-1150
4.13 门架离地间隙 Ground clearance, mast	(mm)	50	50	50	50
4.14 直角堆垛通道宽度(托盘1000x1200)1200跨货叉方向 Aisle width, 1000x1200 pallet, crosswise	Ast(mm)	2740	2740	2740	2740
4.15 直角堆垛通道宽度(托盘800x1200)1200沿货叉方向 Aisle width, 800x1200 pallet, crosswise	Ast(mm)	2850	2850	2850	2850
4.16 转弯半径 Turning radius	Wa(mm)	1300	1300	1300	1300
性能/Function					
5.1 行驶速度, 满/空载 Travel speed, with/without load	km/h	3/3.5	3/3.5	3/3.5	3/3.5
5.2 起升速度, 满/空载 Lifting speed, with/without load	mm/s	145/215	145/215	145/215	145/215
5.3 下降速度, 满/空载 Lowering speed, with/without load	mm/s	105/105	105/105	105/105	105/105
5.4 最大爬坡能力, 满/空载(S2-5min) Max. climbing ability, with/without load(S2-5min) % (tanθ)		3/5	3/5	3/5	3/5
5.5 制动方式 Service brake		电磁式 Electromagnetic type	电磁式 Electromagnetic type	电磁式 Electromagnetic type	电磁式 Electromagnetic type
驱动/Power					
6.1 驱动电机功率(S2-60min) Drive motor rating(S2-60 min)	kw	0.75	0.75	0.75	0.75
6.2 起升电机功率, (S3-15%) Lift motor rating(S3-15%)	kw	2	2	2	2
6.3 蓄电池, 电压/额定容量 Battery voltage/rated capacity	V/Ah	24/100	24/100	24/100	24/100
6.4 电池重量 Battery weight	kg	65	65	65	65
6.5 转向系统 Steering System		机械式mechanical	机械式mechanical	机械式mechanical	机械式mechanical



MBB10/15

站驾式电动托盘堆垛车

MBB10/15是一款额定载重为1000kg/1500kg,起升高度为3500mm的站驾式托盘堆垛车,主要运用于平坦的地面作业,或者楼层和集装箱内作业,车身小巧美观,性价比高;

Mbb10 / 15 is a station driven palletizing truck with a rated load of 1000kg / 1500kg and a lifting height of 3500mm, which is mainly used for flat ground operation, or floor and container operation, with small and beautiful body and high cost performance;



产品特性 PRODUCT FEATURES

- 标配护臂,及护臂放下车辆减速功能;
- 手把标配有油缸下缓冲结构,使货物放置更平稳。



- It is equipped with standard arm protection, and the function of lowering the arm to slow down the vehicle;
- The handlebar is equipped with the buffer structure under the oil cylinder as standard, so that the goods can be placed more smoothly.



- 整车五支点结构保证负载堆垛过程中,车身稳定,不浮动;
- 车身采用厚底板结构,有效降低整车重心,搬运堆垛货物更平稳,效率更高。
- 门架采用优质合金H型钢抗弯抗扭性能卓越,坚固耐用,保证了车辆负载能力。
- The five fulcrum structure of the whole vehicle ensures that the vehicle body is stable and does not float during the load stacking process;
- The car body adopts a thick base plate structure, which effectively reduces the center of gravity of the whole vehicle, makes the handling and stacking of goods more stable and efficient.
- The gantry adopts high-quality alloy H-channel steel with excellent bending and torsion resistance, which is strong and durable, ensuring the vehicle load capacity.



- 标配电磁制动、手把按压制动、急停开关、紧急反向开关以及坡度辅助功能确保操作者安全;
- 进口控制器可实现无极调速、AMP防水防尘插件,给予线路可靠保护,大大降低了电器故障;
- 免维护的交流电机最大限度的减少了维护成本,售后工程师可通过编程器快速准确的读出叉车数据,快速便捷的维护方式缩短了维护时间。
- Standard electromagnetic brake, handlebar press brake, emergency stop switch, emergency reverse switch and slope auxiliary functions ensure the safety of the operator;
- Imported controller can realize stepless speed regulation; AMP waterproof and dustproof plug-in provides reliable protection of the circuit and greatly reduces electrical failure;
- Maintenance free AC motor reduces the maintenance cost as much as possible. After sales engineers can read the forklift data quickly and accurately through the programmer, and shorten the maintenance time in a fast and convenient way.

- 前罩壳方便拆卸,电器、液压元件集中布置,让检修一目了然。



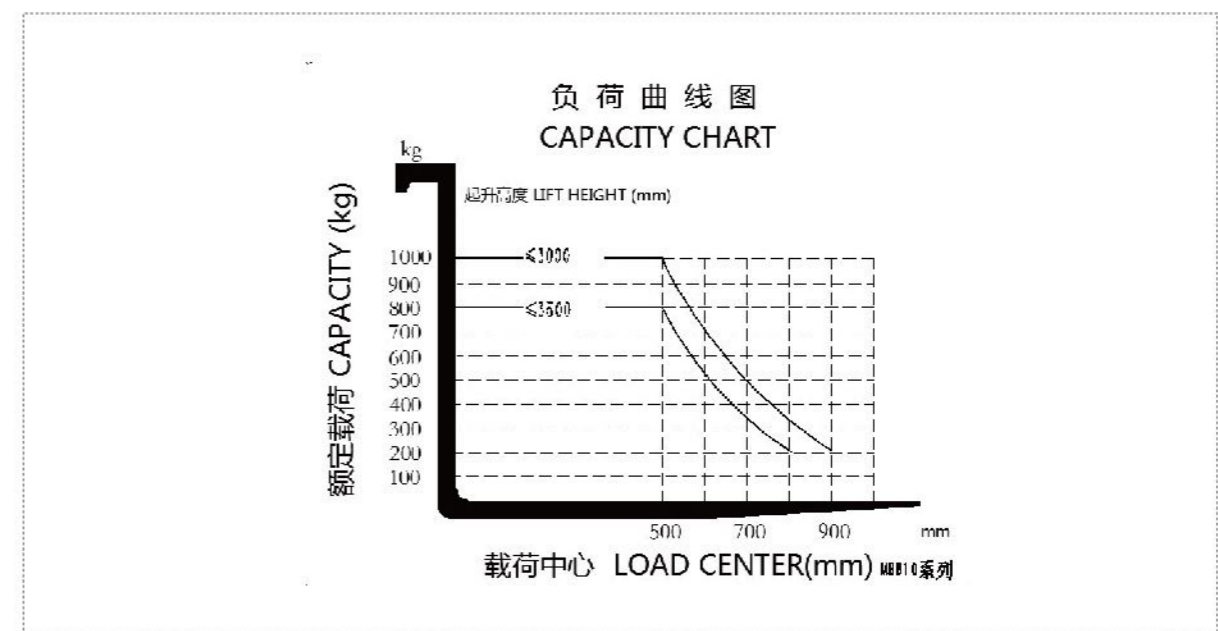
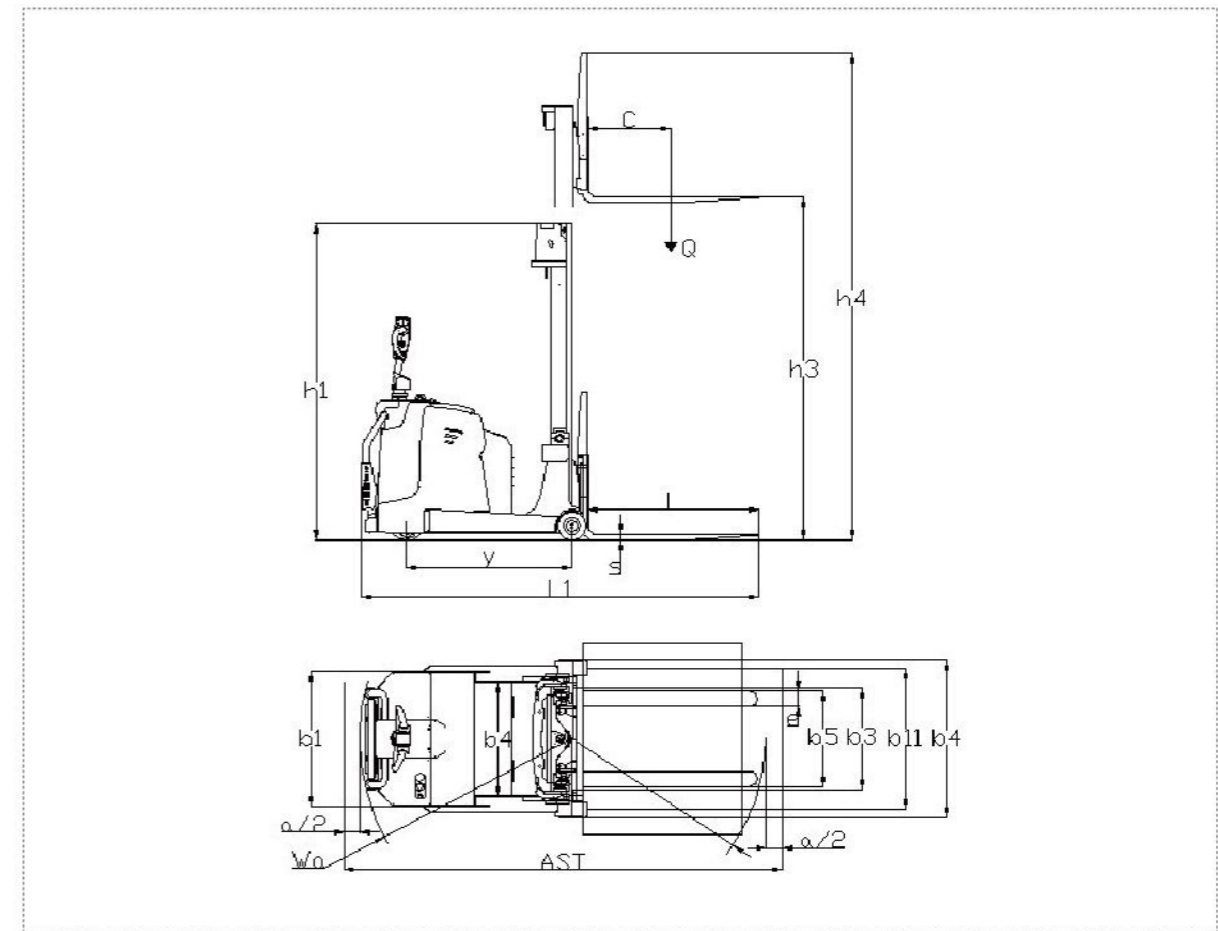
- The front cover is easy to disassemble, and the electrical and hydraulic components are arranged in a centralized way, so that the maintenance is clear at a glance.



【提示】上述所有配置中可能涉及选配配置,购买前请咨询相关业务人员

The above configuration may involve optional configuration, please consult relevant business personnel before purchasing

标准/standard					
1.1 制造厂商 Manufacture		MiMA	MiMA	MiMA	MiMA
1.2 型号 Model designation		MBB1016	MBB1025	MBB1030	MBB1035
1.3 动力类型 Power unit		蓄电池Battery	蓄电池Battery	蓄电池Battery	蓄电池Battery
1.4 驾驶方式 Operation		站板式Station plate	站板式Station plate	站板式Station plate	站板式Station plate
1.5 额定载荷 Load capacity	Q(kg)	1000	1000	1000	1000
1.6 载荷中心距 Load center	C(mm)	500	500	500	500
1.7 前悬距 Axle centre to fork face	x(mm)	100	100	100	100
1.8 轴距 Wheelbase	y(mm)	1050	1050	1050	1050
重量/weight					
2.1 整车重量(含电池) Service weight(with battery)	kg	1680	1760	1790	1820
2.2 空载时的桥负荷, 驱动侧/承重侧 Axle loading, unladen drive/load	kg	941/739	986/774	1002/788	1019/801
2.3 满载时桥负荷, 驱动侧/承重侧 Axle loading, fork advanced, laden drive/load	kg	367/2313	378/2382	382/2408	386/2434
轮胎/Tyre					
3.1 轮胎类型, 驱动侧/承重侧 Tyre, operator/load side		聚氨酯PU	聚氨酯PU	聚氨酯PU	聚氨酯PU
3.2 轮胎尺寸, 承重侧 Tyre size, load	mm	φ180x100	φ180x100	φ180x100	φ180x100
3.3 轮胎尺寸, 驱动侧 Tyre size, drive	mm	φ230x75	φ230x75	φ230x75	φ230x75
3.4 车轮数量, 前/后(x=驱动轮) Wheels number, front/back(x=driven)		2/1x+2	2/1x+2	2/1x+2	2/1x+2
3.5 轮距, 承重侧 Tread, load	b11(mm)	894	894	894	894
尺寸/Dimensions					
4.1 门架闭合高度 Height of mast, lowered	h1(mm)	2090	1760	2010	2260
4.2 自由起升高度 Free lift	h2(mm)	/	/	/	/
4.3 起升高度 Lift height	h3(mm)	1600	2500	3000	3500
4.4 起升时门架最大高度(含挡货架) Height of mast, extended(with block)	h4(mm)	2500	3400	3900	4400
4.5 整车长度 Overall length	L1(mm)	2560	2560	2560	2560
4.6 整车宽度 Overall width	b1/b2(mm)	994	994	994	994
4.7 货叉尺寸 Fork dimensions	l/e/s(mm)	1070/100/35	1070/100/35	1070/100/35	1070/100/35
4.8 货叉架宽度 Fork-carriage width	b3(mm)	/	/	/	/
4.9 货叉外侧距 Fork spread	b5(mm)	220-610	220-610	220-610	220-610
4.10 支腿内侧间距 Width between reach legs	b4(mm)	/	/	/	/
4.11 作业时舵柄高度 Height drawbar in driving position, min./max.	(mm)	1100/1390	1100/1390	1100/1390	1100/1390
4.13 门架离地间隙 Ground clearance, mast	(mm)	66	66	66	66
4.14 直角堆垛通道宽度(托盘1000x1200)1200跨货叉方向 Aisle width, 1000x1200 pallet, crosswise	Ast(mm)	2870	2870	2870	2870
4.15 直角堆垛通道宽度(托盘800x1200)1200沿货叉方向 Aisle width, 800x1200 pallet, crosswise	Ast(mm)	2980	2980	2980	2980
4.16 转弯半径 Turning radius	Wa(mm)	1415	1415	1415	1415
性能/Function					
5.1 行驶速度, 满/空载 Travel speed, with/without load	km/h	4/5.8	4/5.8	4/5.8	4/5.8
5.2 起升速度, 满/空载 Lifting speed, with/without load	mm/s	80/110	80/110	80/110	80/110
5.3 下降速度, 满/空载 Lowering speed, with/without load	mm/s	120/140	120/140	120/140	120/140
5.4 最大爬坡能力, 满/空载(S2-5min) Max. climbing ability, with/without load(S2-5min)	%(tanθ)	5/8	5/8	5/8	5/8
5.5 制动方式 Service brake		电磁式 Electromagnetic type	电磁式 Electromagnetic type	电磁式 Electromagnetic type	电磁式 Electromagnetic type
驱动/Power					
6.1 驱动电机功率(S2-60min) Drive motor rating(S2-60 min)	kw	1.5	1.5	1.5	1.5
6.2 起升电机功率, (S3-15%) Lift motor rating(S3-15%)	kw	2	2	2	2
6.3 蓄电池, 电压/额定容量 Battery voltage/rated capacity	V/Ah	24/210	24/210	24/210	24/210
6.4 电池重量 Battery weight	kg	200	200	200	200
6.5 转向系统 Steering System		电转向EPS	电转向EPS	电转向EPS	电转向EPS



标准/standard					
1.1 制造厂商 Manufacture		MiMA	MiMA	MiMA	MiMA
1.2 型号 Model designation		MBB1516	MBB1525	MBB1530	MBB1535
1.3 动力类型 Power unit		蓄电池Battery	蓄电池Battery	蓄电池Battery	蓄电池Battery
1.4 驾驶方式 Operation		站板式Station plate	站板式Station plate	站板式Station plate	站板式Station plate
1.5 额定载荷 Load capacity	Q(kg)	1500	1500	1500	1500
1.6 载荷中心距 Load center	C(mm)	500	500	500	500
1.7 前悬距 Axle centre to fork face	x(mm)	100	100	100	100
1.8 轴距 Wheelbase	y(mm)	1450	1450	1450	1450
重量/weight					
2.1 整车重量(含电池) Service weight(with battery)	kg	1810	1890	1920	1950
2.2 空载时的桥负荷, 驱动侧/承重侧 Axle loading, unladen drive/load	kg	1032/778	1077/813	1094/826	1112/838
2.3 满载时桥负荷, 驱动侧/承重侧 Axle loading, fork advanced, laden drive/load	kg	397/2913	407/2983	410/3010	414/3036
轮胎/Tyre					
3.1 轮胎类型, 驱动侧/承重侧 Tyre, operator/load side		聚氨酯PU	聚氨酯PU	聚氨酯PU	聚氨酯PU
3.2 轮胎尺寸, 承重侧 Tyre size, load	mm	φ180x100	φ180x100	φ180x100	φ180x100
3.3 轮胎尺寸, 驱动侧 Tyre size, drive	mm	φ230x75	φ230x75	φ230x75	φ230x75
3.4 车轮数量, 前/后(x=驱动轮) Wheels number, front/back(x=driven)		2/1x+2	2/1x+2	2/1x+2	2/1x+2
3.5 轮距, 承重侧 Tread, load	b11(mm)	894	894	894	894
尺寸/Dimensions					
4.1 门架闭合高度 Height of mast, lowered	h1(mm)	2090	1760	2010	2260
4.2 自由起升高度 Free lift	h2(mm)	/	/	/	/
4.3 起升高度 Lift height	h3(mm)	1600	2500	3000	3500
4.4 起升时门架最大高度(含挡货架) Height of mast, extended(with block)	h4(mm)	2500	3400	3900	4400
4.5 整车长度 Overall length	L1(mm)	2960	2960	2960	2960
4.6 整车宽度 Overall width	b1/b2(mm)	994	994	994	994
4.7 货叉尺寸 Fork dimensions	l/e/s(mm)	1070/100/35	1070/100/35	1070/100/35	1070/100/35
4.8 货叉架宽度 Fork-carriage width	b3(mm)	/	/	/	/
4.9 货叉外侧距 Fork spread	b5(mm)	220-610	220-610	220-610	220-610
4.10 支腿内侧间距 Width between reach legs	b4(mm)	/	/	/	/
4.11 作业时舵柄高度 Height drawbar in driving position, min./max.	(mm)	1100/1390	1100/1390	1100/1390	1100/1390
4.13 门架离地间隙 Ground clearance, mast	(mm)	66	66	66	66
4.14 直角堆垛通道宽度(托盘1000x1200)1200跨货叉方向 Aisle width, 1000x1200 pallet, crosswise	Ast(mm)	3250	3250	3250	3250
4.15 直角堆垛通道宽度(托盘800x1200)1200沿货叉方向 Aisle width, 800x1200 pallet, crosswise	Ast(mm)	3350	3350	3350	3350
4.16 转弯半径 Turning radius	Wa(mm)	1820	1820	1820	1820
性能/Function					
5.1 行驶速度, 满/空载 Travel speed, with/without load	km/h	4/5.8	4/5.8	4/5.8	4/5.8
5.2 起升速度, 满/空载 Lifting speed, with/without load	mm/s	80/110	80/110	80/110	80/110
5.3 下降速度, 满/空载 Lowering speed, with/without load	mm/s	120/140	120/140	120/140	120/140
5.4 最大爬坡能力, 满/空载(S2-5min) Max. climbing ability, with/without load(S2-5min)	%(tanθ)	5/8	5/8	5/8	5/8
5.5 制动方式 Service brake		电磁式 Electromagnetic type	电磁式 Electromagnetic type	电磁式 Electromagnetic type	电磁式 Electromagnetic type
驱动/Power					
6.1 驱动电机功率(S2-60min) Drive motor rating(S2-60 min)	kw	1.5	1.5	1.5	1.5
6.2 起升电机功率, (S3-15%) Lift motor rating(S3-15%)	kw	2	2	2	2
6.3 蓄电池, 电压/额定容量 Battery voltage/rated capacity	V/Ah	24/210	24/210	24/210	24/210
6.4 电池重量 Battery weight	kg	200	200	200	200
6.5 转向系统 Steering System		电转向EPS	电转向EPS	电转向EPS	电转向EPS

