

MiMA®米玛®



合肥搬易通科技发展有限公司

BANYITONG SCIENCE & TECHNOLOGY DEVELOPING CO.,LTD.

固话/Tel:4006-526-926 / 0551-6211 3990

邮箱/E-mail:market@mimachina.com

官网:www.mimachina.com

地址:安徽省合肥市新站区岱河路与蔡伦路交叉口

Address:Crossing of Daihe Road and Cailun Road, Xinzhan district, Hefei, China

最终解释权归合肥搬易通科技发展有限公司所有

FINAL INTERPRETATION IS OWNED BY BANYITONG SCIENCE & TECHNOLOGY DEVELOPING CO., LTD.

注:本产品宣传配置包括选配配置,购买前请咨询相关业务人员



微信二维码



官网二维码

ELECTRIC PALLET STACKER

电动托盘堆垛车

MBC16/20

MiMA®米玛®

合肥搬易通科技发展有限公司

www.mimachina.com



## 精工品质，值得信赖

SEIKO QUALITY, TRUSTWORTHY

MBC系列电动托盘堆垛车是一款额定载重1600kg-2000kg的步行式托盘堆垛车，主要适用于超市、仓储、楼层作业以及中短距离搬运，是一款四支点安全经济的稳妥选择。

The design of long handle enables the operator to keep a certain safety distance from the vehicle body while working efficiently. Less operating force. The operator can choose a more comfortable operating height which is more in line with his own operating habits. Especially because of the existence of safe distance and good vision, the stacking operation can be more efficient and fast. The four-wheel design with long handle side makes the operator have a better vision of observing the tray.





最大起升高度 5000mm  
Max lifting height

### 胜任狭小作业空间!

COMPETENT IN NARROW WORKING SPACE!

转弯半径小至1490mm,可在2375mm通道的狭小空间内自由作业,后围板采用大曲面冲压件,防压脚设计,外形流畅,防撞性能更好。

The turning radius is as small as 1490mm, and it can work freely in the narrow space of 2375mm channel. The rear panel is made of large curved stamping parts, with anti presser foot design, smooth appearance and better anti-collision performance.



国内最小转弯半径1490mm

最小通道 2375 mm

长手柄的设计使操作者在高效工作的同时,和车体保持一定的安全距离,操作力更小。操作者可以选择更符合自己操作习惯和更舒适的操作高度,特别是由于安全距离的存在和良好的视野使堆垛作业可以更高效和快速,长手柄侧置的四轮设计,使得操作者有更好的观察托盘的视野。

The design of long handle enables the operator to keep a certain safety distance from the vehicle body while working efficiently. Less operating force. The operator can choose a more comfortable operating height which is more in line with his own operating habits. Especially because of the existence of safe distance and good vision, the stacking operation can be more efficient and fast. The four-wheel design with long handle side makes the operator have a better vision of observing the tray.



### 01 长手柄设计

LONG HANDLE DESIGN

### 02 性能优越

SUPERIOR PERFORMANCE

能耗比普通车降低30%以上,大大节约充电成本;  
电池质保5年,电池寿命可达10年。  
采用封闭设计,无需进行任何维护,免去维护不当之忧;  
极速充电,最快2小时左右可充满,无需备用电池。  
磷酸铁锂不防火、不爆炸,更安全;

Energy consumption is more than 30% lower than that of ordinary cars, which greatly saves charging cost; The battery warranty is 5 years, and the battery life can be up to 10 years. Closed design, no need for any maintenance, avoid the worry of improper maintenance; Fast charging, up to 2 hours or so can be full, without the need for backup batteries. Lithium iron phosphate is safer without fire and explosion;

侧拉式电池,便捷式充电装置  
美国柯蒂斯电控  
覆盖件容易拆装,检修方便

Side pull battery, convenient charging device  
Curtis electric control  
Cover parts are easy to disassemble and repair

### 03 可选配锂电

OPTIONAL LITHIUM BATTERY



【提示】上述所有配置中可能涉及选配配置,购买前请咨询相关业务人员

All the above configurations may involve optional configuration, please consult relevant business personnel before purchasing

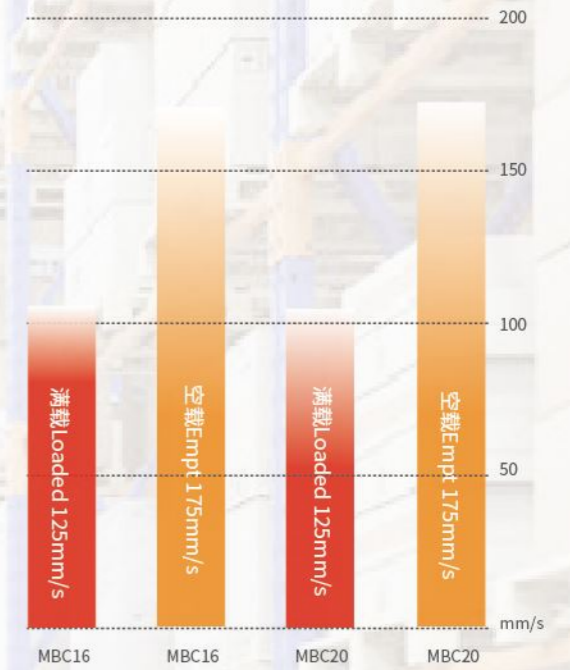




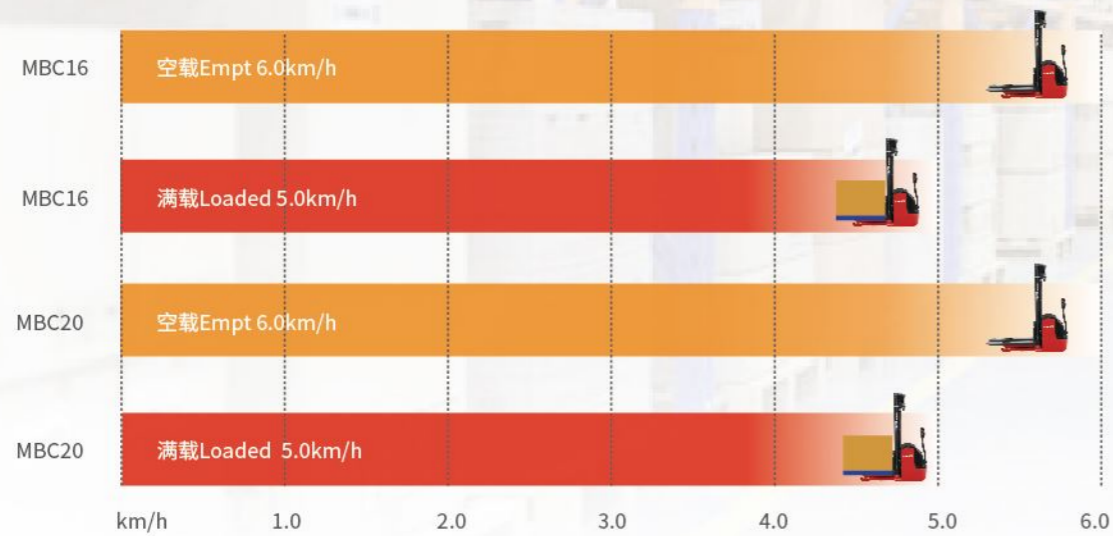
最大爬坡能力, 满/空载 Maximum climbing capacity, full / empty



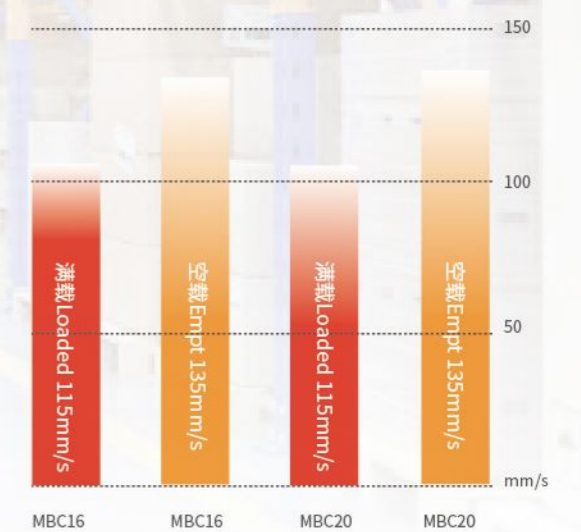
起升速度, 满/空载 Lifting speed, full / no load



行驶速度, 满/空载 Travel speed, full / empty

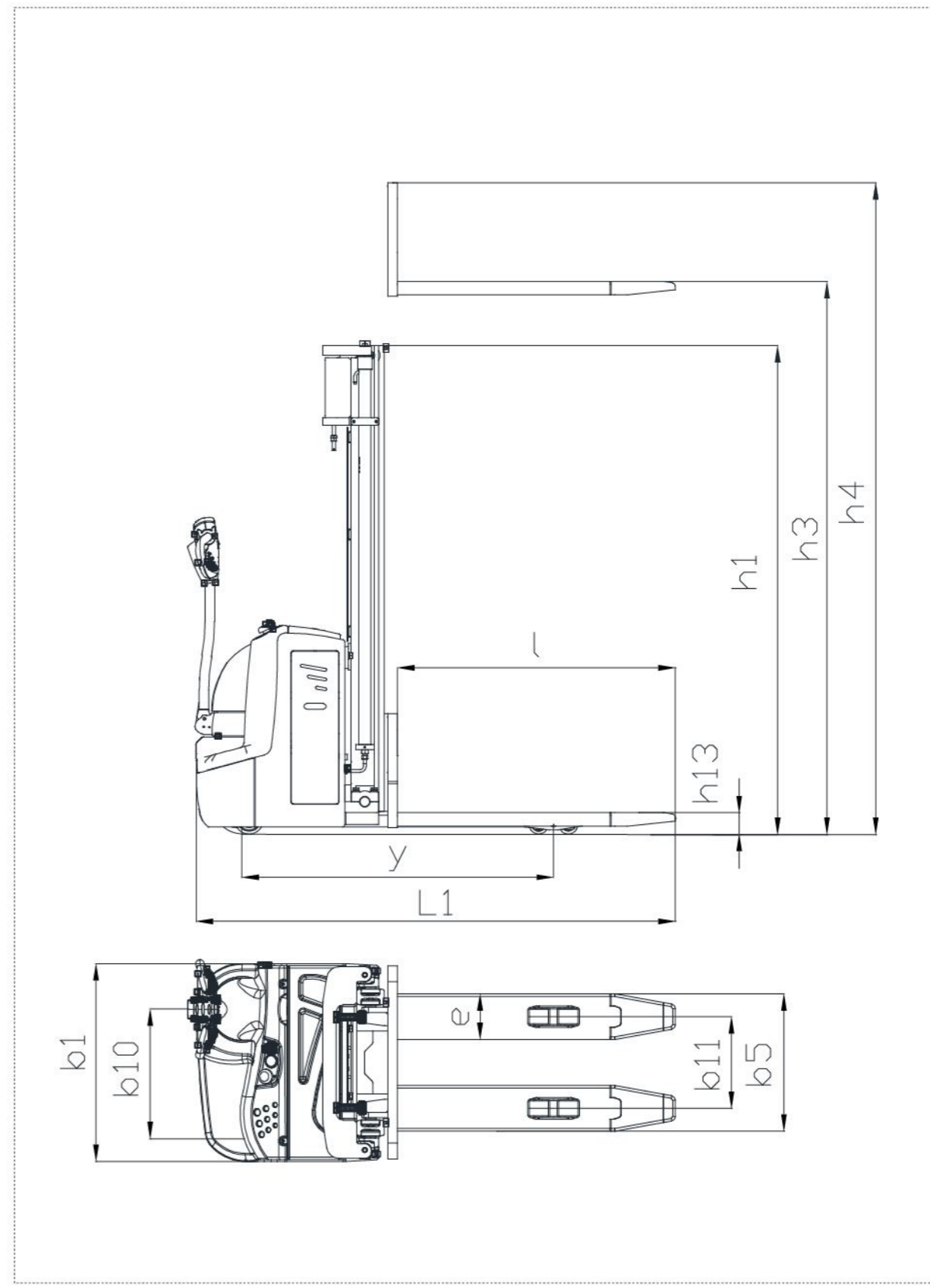


下降速度, 满/空载 Descent speed, full / empty





标准 standard							
1.1	制造厂商 Manufacturer	MiMA	MiMA	MiMA	MiMA	MiMA	MiMA
1.2	型号 Model	MBC1630F01	MBC1630	MBC16S	MBC2030F01	MBC2030	MBC20S
1.3	动力类型 Power Type	蓄电池Battery	蓄电池Battery	蓄电池Battery	蓄电池Battery	蓄电池Battery	蓄电池Battery
1.4	驾驶方式 Operation Type	步行式Walked	步行式Walked	步行式Walked	步行式Walked	步行式Walked	步行式Walked
1.5	额定载荷 Rated Capacity	Q(kg)	1600	1600	1600	2000	2000
1.6	载荷中心距 Load Center	C(mm)	600	600	600	600	600
1.7	轴距 Wheelbase	y(mm)	1290	1290	1290	1290	1290
重量 weight							
2.1	整车重量 (含电池) Service weight (incl. battery)	kg	1150	1200	1300	1150	1200
轮胎 tire							
3.1	轮胎类型, 驱动侧/承重侧 Wheel type drive side/load side,		聚氨酯PU	聚氨酯PU	聚氨酯PU	聚氨酯PU	聚氨酯PU
3.2	轮胎尺寸, 承重侧 Tyre size, load side	mm	φ80×70	φ80×70	φ80×70	φ80×70	φ80×70
3.3	轮胎尺寸, 驱动侧 Tyre size, drive side	mm	φ230×75	φ230×75	φ230×75	φ230×75	φ230×75
3.4	稳定轮尺寸 Balance wheel size	mm	φ125×50	φ125×50	φ125×50	φ125×50	φ125×50
3.5	车轮数量, 前/后(x=驱动轮) Wheel quantity, front/rear(X= drive)		4 /1x+1	4 /1x+1	4 /1x+1	4 /1x+1	4 /1x+1
3.6	轮距, 驱动侧 Wheel tread, drive side	b10(mm)	530	530	530	530	530
3.7	轮距, 承重侧 Wheel tread, load side	b11(mm)	380/490	380/490	380/490	380/490	380/490
尺寸 dimension							
4.1	门架闭合高度 Height of mast closed	h1(mm)	见门架参数 See gantry parameters	见门架参数 See gantry parameters	见门架参数 See gantry parameters	见门架参数 See gantry parameters	见门架参数 See gantry parameters
4.3	起升高度 Lifting height	h3(mm)	见门架参数 See gantry parameters	见门架参数 See gantry parameters	见门架参数 See gantry parameters	见门架参数 See gantry parameters	见门架参数 See gantry parameters
4.4	起升时门架最大高度(含挡货架) Height of mast with backrest	h4(mm)	见门架参数 See gantry parameters	见门架参数 See gantry parameters	见门架参数 See gantry parameters	见门架参数 See gantry parameters	见门架参数 See gantry parameters
4.5	手柄高度 最小/最大 Handle height min / Max	h14(mm)	700/1300	700/1300	700/1300	700/1300	700/1300
4.6	货叉面最小离地高度 Minimum ground clearance of fork face	h13(mm)	90	90	90	90	90
4.7	整车长度 overall length	l1(mm)	1990	1990	1990	1990	1990
4.8	整车宽度 overall width	b1(mm)	820	820	820	820	820
4.9	货叉尺寸 fork dimentions	l/e/s(mm)	1150/190/56	1150/190/56	1150/190/56	1150/190/56	1150/190/56
4.10	货叉外侧距 Width across forks	b5(mm)	570/680*	570/680*	570/680*	570/680*	570/680*
4.11	最小地间隙 minimum guound clearance	m1(mm)	30	30	30	30	30
4.12	堆垛通道宽度(托盘1000x1200) Stacking channel width(pallet1000x1200)	Ast(mm)	2375	2375	2375	2375	2375
4.13	堆垛通道宽度(托盘800x1200) Stacking channel width(pallet 800x1200)	Ast(mm)	2375	2375	2375	2375	2375
4.14	转弯半径 Turning radius	Wa(mm)	1490	1490	1490	1490	1490
性能 function							
5.1	行驶速度, 满/空载 Drive speed, load/unload	km/h	5.0/6.0	5.0/6.0	5.0/6.0	5.0/6.0	5.0/6.0
5.2	起升速度, 满/空载 Lift speed, load/unload	mm/s	90/130	125/175	90/130	90/130	125/175
5.3	下降速度, 满/空载 Lower speed, load/unload	mm/s	110/130	115/135	95/100	110/130	115/135
5.4	货叉面最小离地高度 Minimum ground clearance of fork face	%(tanθ)	≤6/≤12	≤6/≤12	≤6/≤12	≤6/≤12	≤6/≤12
5.5	制动方式 Brake type		电磁 electromagnetism	电磁 electromagnetism	电磁 electromagnetism	电磁 electromagnetism	电磁 electromagnetism
驱动 driving							
6.1	驱动电机功率(S2-60min) Driving motor power (S2-60min)	kw	1.5	1.5	1.5	1.5	1.5
6.2	起升电机功率, (S3-15%) Lifting motor power (S3-15%)	kw	2	3	3	2	3
6.3	蓄电池, 电压/额定容量 Battery voltage/capacity	V/Ah	24/210*	24/210*	24/210*	24/210*	24/210*
6.4	电池重量 Battery weight	kg	180	180	180	180	180
6.5	转向系统 Steering system		机械式 Mechanical	机械式 Mechanical	机械式 Mechanical	机械式 Mechanical	机械式 Mechanical
其它 other							
7.1	电池更换方式 Battery replace method		侧拉式Side pull type	侧拉式Side pull type	侧拉式Side pull type	侧拉式Side pull type	侧拉式Side pull type
7.2	门架系列 Gantry series		单缸双门架 Single cylinder Double gantry	双缸双门架 Double cylinder and Double gantry	三缸普通门架 Three level common gantry	单缸双门架 Single cylinder Double gantry	双缸双门架 Double cylinder and Double gantry



单门架 Single door frame		MBC16/20F01系列		
1.1 型号 Model	单位 unit	MBC1616F01	MBC2016F01	
1.2 门架类型 Gantry type		单门架 Single door frame		
1.3 起升高度 Lifting height	h3	mm	1600	
1.4 门架闭合高度 Height of mast closed	h1	mm	2090	
1.5 起升时门架高度 Height of mast with backest	h4	mm	2090	
1.6 自由起升高度 Free lifting height	h2	mm	1600	

单缸两节门架 Single cylinder two section gantry		MBC16/20F01/F02系列					
1.1 型号 Model	单位 unit	MBC1625F01	MBC1630F01	MBC1635F01	MBC1640F02	MBC1645F02	
1.2 门架类型 Gantry type		双门架 Double door frame					
1.3 起升高度 Lifting height	h3	mm	2500	3000	3500	4000	4500
1.4 门架闭合高度 Height of mast closed	h1	mm	1775	2025	2275	2575	2825
1.5 起升时门架高度 Height of mast with backest	h4	mm	3000	3500	4000	4500	5000

双缸两节门架 Double cylinder two section gantry		MBC16/20系列					
1.1 型号 Model	单位 unit	MBC1625	MBC1630	MBC1635	MBC1640	MBC1645	
		MBC2025	MBC2030	MBC2035	MBC2040	MBC2045	
1.2 起升高度 Lifting height	h3	mm	2500	3000	3500	4000	4500
1.3 门架闭合高度 Height of mast closed	h1	mm	1775	2025	2275	2575	2825
1.4 起升时门架高度 Height of mast with backest	h4	mm	3000	3500	4000	4500	5000

三节普通门架 Three section common gantry		MBC16/20S系列			
1.1 型号 Model	单位 unit	MBC1640S	MBC1645S	MBC1650S	
		MBC2040S	MBC2045S	MBC2050S	
1.2 起升高度 Lifting height	h3	mm	4000	4500	5000
1.3 门架闭合高度 Height of mast closed	h1	mm	1934	2100	2166
1.4 起升时门架高度 Height of mast with backest	h4	mm	4500	5000	5500

三节全自由门架 Three section full free gantry		MBC16/20SQ系列			
1.1 型号 Model	单位 unit	MBC1640SQ	MBC1645SQ	MBC1650SQ	
		MBC2040SQ	MBC2045SQ	MBC2050SQ	
1.2 起升高度 Lifting height	h3	mm	4000	4500	5000
1.3 门架闭合高度 Height of mast closed	h1	mm	1934	2100	2166
1.4 自由起升高度 Free lifting height	h2	mm	1383	1550	1717
1.5 起升时门架高度 Height of mast with backest	h4	mm	4500	5000	5500

